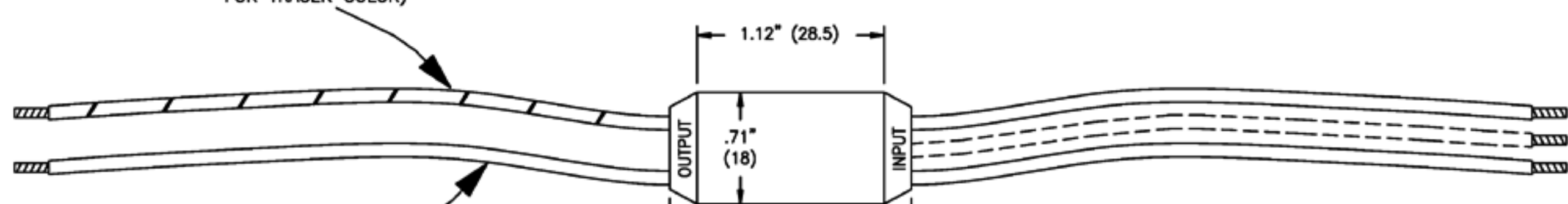
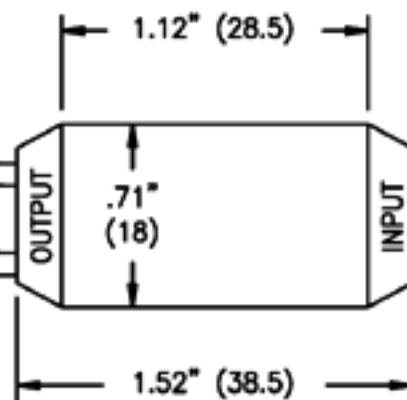


WHITE WITH TRACER
(SEE ORDERING INFORMATION
FOR TRACER COLOR)

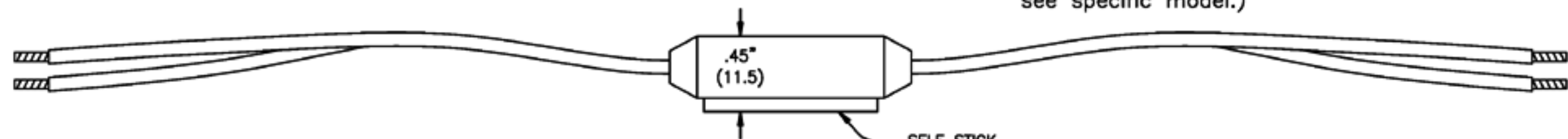


OUTPUT LEADS: 6" (150mm) Long
22GA Stranded, 300V Insulation

BLACK



INPUT LEADS: 6" (150mm) Long, 22GA. VCM
and TCM Leads have 600V Insulation. LCM has
3 Leads with 300V Insulation. (For color codes
see specific model.)



SELF STICK
ADHESIVE PAD